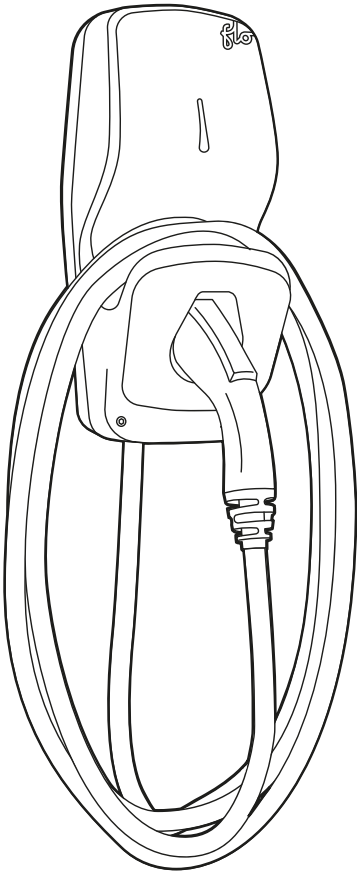




FLO Home X5 Model

Installation guide



Languages

English	3
Français	22

Assistance

A customer experience or technical support representative can assist you!

Customer and Technical Support

For any questions regarding charging station installation, configuration or any technical problem.

1-855-543-8356

You can also contact us at:

service@flo.com

Un représentant du service à la clientèle ou un agent du soutien technique peut vous aider !

Service à la clientèle et Soutien technique

Pour toutes questions relatives à l'installation et à la configuration des bornes de recharge, ou tout autre problème technique.

1-855-543-8356

Vous pouvez également nous contacter :

service@flo.com

Table of Contents

Safety Instructions	4
Before You Install	5
Box Contents	6
Installing the Station	7
Installing the PLC	10
Connect the Station to your Account	12
Light Indicators	14
Sound Indicator	15
Installing a Second Station	16
Charging Station Serial Number	17
Warranty – USA	18
Warranty – CA	20

Technical Specifications

Casing: 100% aluminum NEMA 4X Certified, designed for outdoor or indoor installation

Finish: Metallic Grey (CA), Tungsten or Carbon (US) with high resistance coating

Voltage: 208 - 240 V @ 60 Hz

Output Current: Adjustable from 6 A to 30 A

Maximum Output Power: 7.2 kW @ 240 V or 6.2 kW @ 208 V

Cable: 7.62 m (25 ft) ultra flexible cable

Charging Connector: SAE J1772™ designed to withstand over 10,000 charging cycles

Security Features: Integrated GFCI circuit breaker (20 mA, 3 reset attempts at 15-minute intervals)

Operating Temperature: -40 °C to 50 °C (-40 °F to 122 °F)

Weight with cable, connector and mounting plate: 11.23 kg (24.76 lbs)

Communication Interface: Power-line communication (PLC)

The connector style may vary

Terminal block: maximum size 6AWG

Safety Instructions

INSTRUCTIONS PERTAINING TO A RISK OF FIRE OR ELECTRIC SHOCK SAVE THESE INSTRUCTIONS!

WARNING: When using electrical appliances, basic precautions should always be followed. This manual contains important instructions that must be followed when installing, operating and maintaining the unit. **Please read this guide carefully before attempting to install the charging station.**

1. **CAUTION** -To reduce the risk of fire, connect only to a branch circuit provided with a maximum surge protection of 40 A in accordance with the Canadian Electrical Code (CSA C22.1-12) and the National Electrical Code (ANSI / NFPA 70).
2. This charging station has been designed for wall or post mounting.
3. Ensure that the mounting surface for the wall or pole is strong enough to support the weight of the charging station and that the anchors used are compatible with the surface.
4. Verify that there is no piping, electrical installation or underground electrical installation in the area where you will install the station, to avoid serious injuries.
5. Connect the power supply of the charging station with caliber 6 AWG to 8 AWG copper conductors rated for usage at a temperature of at least 75 °C.
6. This product must be connected to a grounded, metal, permanent wiring system, or an equipment-grounding conductor must be run with the circuit conductors and connected to the equipment grounding terminal and installed by a certified electrician.
7. Communicate with a certified contractor, certified electrician or trained installer to ensure compliance with local building code, regulation, security standards and weather conditions.
8. Any modification to any part of the charging station will void the warranty.
9. Handle parts with care, since they can be sharp-edged. Always use safety glasses and gloves when unpacking and installing.
10. The power supply cables of the charging station must be rated FT2 minimum.
11. The input cable strain relief connector, conduits or armed-cable bushings and adapter:
 - A) have to be certified for both Canada and USA;
 - B) have to be waterproof (NEMA 4X);
 - C) have to be suitable for the outside diameter of the chosen cable and suitable for mounting into a 28.17 mm (1.109 in) diameter opening (for connection through the bottom or back cable opening).

General safety instructions

This device should be supervised when used around children.

Never insert your finger into the electric vehicle connection.

Never use the charging station if the flexible power cord or EV cable is frayed, has broken insulation, or any other signs of damage.

Never use the charging station if the enclosure or the EV connector is broken, cracked, open, or shows any other signs of damage.

This charging station was designed to be used with electric vehicles equipped with a SAE J1772 connector.

This charging station is to be used to charge vehicles that do not require a ventilated environment during charging.

Always disconnect the power supply of the charging station before servicing.

Before You Install

IMPORTANT CONSIDERATIONS WHEN INSTALLING THE STATION

The station must be installed by a certified electrician.

The station has built-in protection against overvoltage conditions and leakage current to ground.

Any alteration to any part of the charging station will void the warranty.

Connecting your new charging station requires:

- Single-Phase 120/240 VAC supply (figure 1) or 3-Phase 120/208 VAC supply (figure 2)
- Using 6 to 8 AWG copper conductors
- Protection by a two-pole 40A circuit breaker
- 2 phases and a ground connection with 120 VAC between each phase and ground

NOTE: neutral is not required.

Maximum output power: 7.2 kW @ 240 V or 6.2 kW @ 208 V

Figure 1

Single-Phase 120/240 VAC

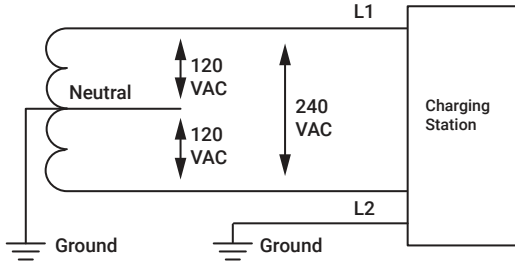
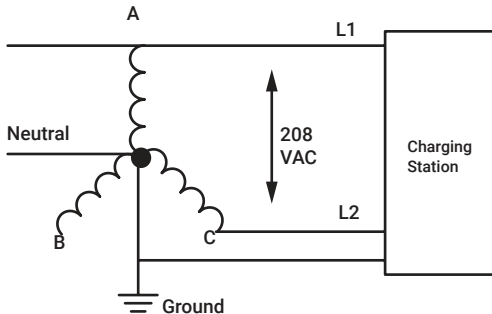


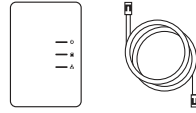
Figure 2

3-Phase 120/208 VAC

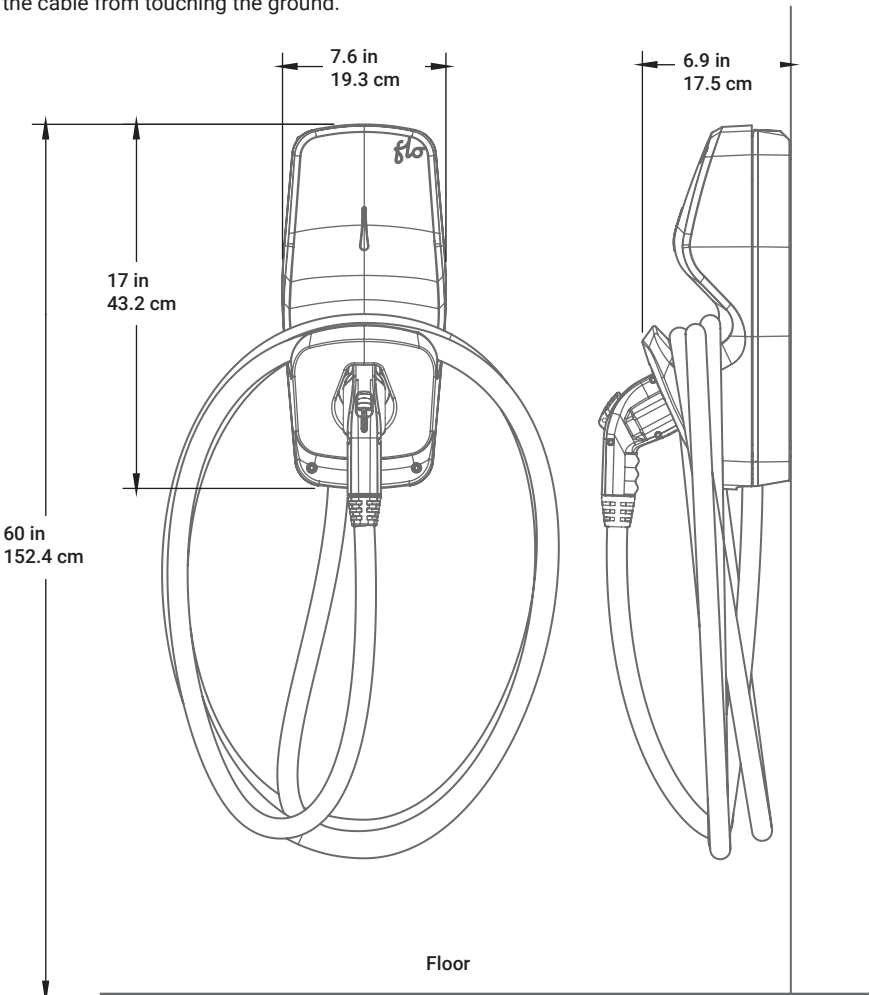


Box Contents

1. Charging station
 2. Cable and charging connector
 3. Wall mounting plate
 4. PLC Module and Ethernet Cable
 5. Card with association code
-



Recommended height to facilitate handling of the connector, as well as preventing the cable from touching the ground.

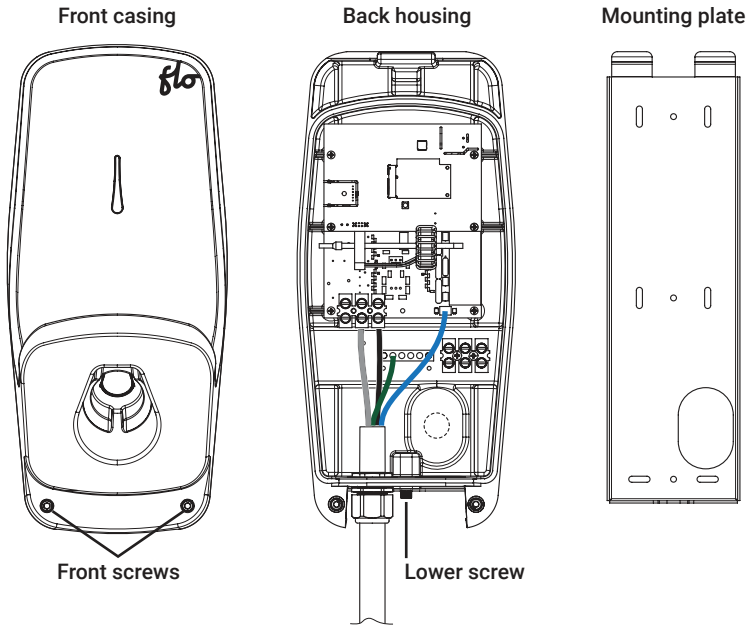


Installing the Station

Designed for single home applications

WARNING: Your charging station must be installed by a licensed electrician.

- 1 Disassemble the front casing by removing the 2 front screws and then separate the mounting plate by unscrewing the lower screw.



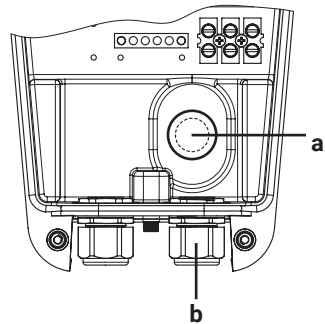
NOTE

The power supply cable can be inserted from the rear (a) or from under (b) the station:

- 3/4" knockout (a) and (b)
- Remove a single cap
- Strain relief connector not included

The input cable strain relief, conduits or armed-cable bushings and adapter:

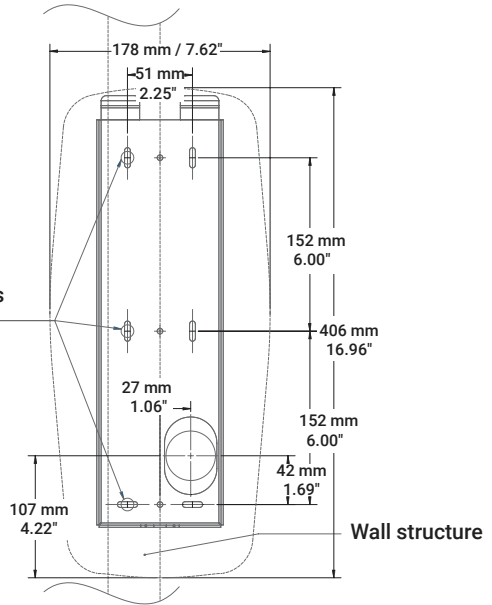
- A) have to be certified for both Canada and USA;
- B) have to be waterproof (NEMA 4X);
- C) have to be suitable for the outside diameter of the chosen cable and suitable for mounting into a 28.17 mm (1.109 in) diameter opening (for connection through the bottom or back cable opening).



- 2 Use the mounting plate as a drilling template after determining the input to be used, either at the rear or under the station.

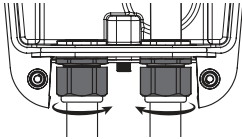
- 3** Hang the mounting plate securely to a stable surface using a minimum of 3 anchor screws.

Anchoring screws
Minimum of 3
Maximum of 6



- 4** Insert the conductors and secure the strain relief connector to the housing so that the conductors are long enough to reach the terminals.

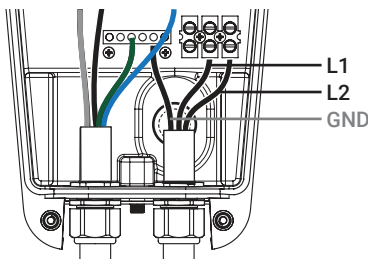
- 5** Tighten the connector lock-nut. Ensure the wire is secure.



- 6** Secure the housing of the station to the mounting plate.

- 7** Screw the lower screw to secure the mounting.

- 8** Connect the ground wire (GND) and the two power wires (L1 and L2). Ensure the wire is secure.



Nominal torque for wires

L1-L2:	6 AWG = 16 lbs-in
	8 AWG = 16 lbs-in
GND:	6 AWG = 45 lbs-in
	8 AWG = 40 lbs-in

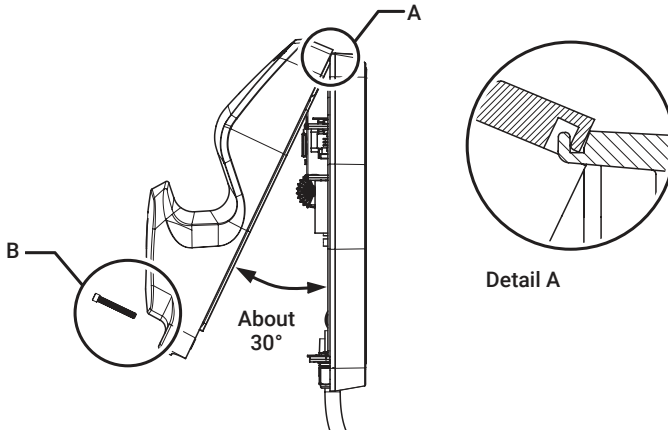
WARNING:

Always use a manual screwdriver; DO NOT use an Impact Driver for the station screws, in which case the warranty would no longer be valid.

9 Install the front housing of the charging station:

A) Hang the top by presenting the front housing at an angle of about 30 degrees, then pivot vertically without forcing.

B) Tighten the 2 front screws with a nominal torque of 55 lbs-in.



10 Switch on the electrical circuit breaker.

Installing the PLC

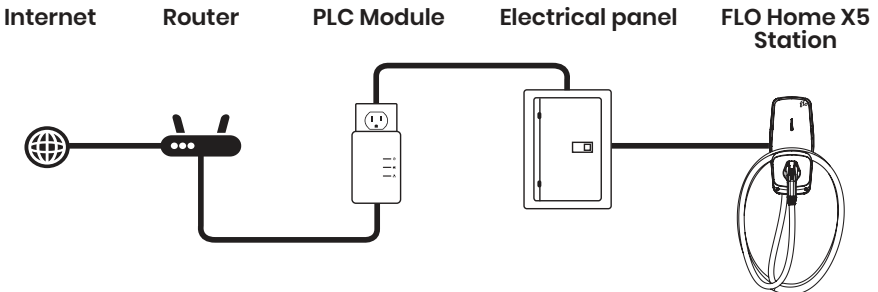
To connect your new FLO Home X5 station to your FLO account, you must first connect the PLC module (included).

To do this, you will need the following:

1. Internet access
2. A free Ethernet socket on your router
3. A free wall power outlet near your router

1 Connect one end of the Ethernet cable (included) to your PLC module and the other end to a free port on your router.

2 Plug the PLC module into a wall outlet.



WARNING: For security reason the PLC signal will only work across your home electrical wiring. In case there are two or more electric panels in your home, ensure the PLC and the FLO Home X5 are on the same wiring and connected on the same electric panel, otherwise the PLC will not connect to the network.

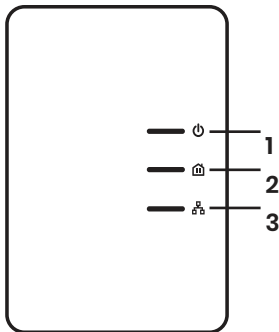
Do not connect the PLC module to an overvoltage protection device (surge protector), extension cord or power strip.

On a 3-phase system, ensure that the PLC module is connected to a plug that shares one of the phases powering the charging station

3 Testing the PLC Connection

The station and the PLC module are preconfigured at the factory to connect automatically.

After 30 seconds, check that the 3 LEDs of the PLC module are all lit.



The three lights lit up indicates that the connection was successful.

- | | |
|------------------------|--|
| 1 Power LED | <ul style="list-style-type: none">- SOLID: The device is receiving electrical power.- BLINKING: The device is resetting, the simple connect button was pressed or power saving mode was enabled.- OFF: The device is not receiving electrical power. |
| <hr/> | |
| 2 Powerline LED | <ul style="list-style-type: none">- SLOW BLINKING (RED): Indicates a connection between your station and the PLC module. The station should be available on the web portal and mobile app.- FAST BLINKING (GREEN, YELLOW): Indicates communication with other PLC devices.- OFF: The device did not detect your station. |
| <hr/> | |
| 3 Ethernet LED | <ul style="list-style-type: none">- SOLID: The Ethernet port is connected to your router.- OFF: There is no Ethernet connection. |

**PLC: Power-line communication technology enables you to build a computer network on your home's electrical network.*

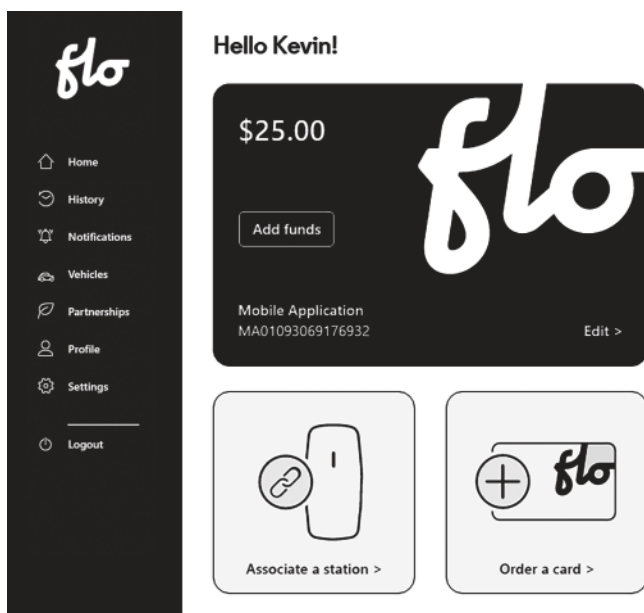
Connect the Station to your FLO Account

When your station is powered and the PLC module is installed, the station automatically connects to the Internet. This may take up to 10 minutes the first time.

Simply connect to your FLO account to access your new station.

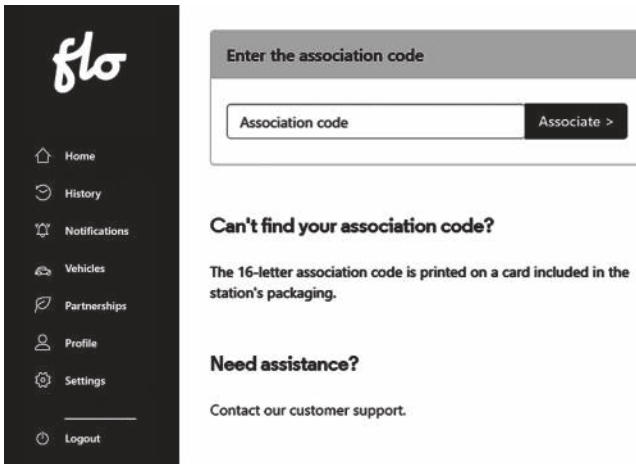
If your new station is not present in your account, you can add it using the association code that is included in the box.

- 1** If you have not already done so, you can create your FLO account. Go to [account.flo.ca/Account/SignUp \(CA\)](https://account.flo.ca/Account/SignUp) or [account.flo.com/Account/SignUp \(USA\)](https://account.flo.com/Account/SignUp) and follow the instructions.
- 2** Log in to your FLO account at [account.flo.ca/Account/LogIn \(CA\)](https://account.flo.ca/Account/LogIn) or [account.flo.com/Account/LogIn \(USA\)](https://account.flo.com/Account/LogIn).

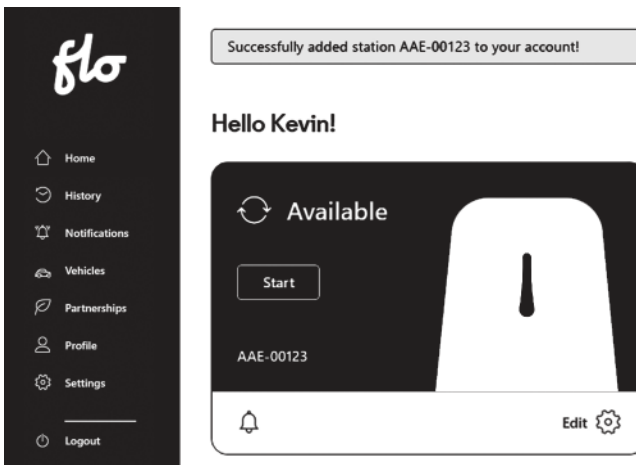


- 3** Click on "Associate a station".

- 4 Enter the 16-character association code on the included card with your new station and click "Associate".

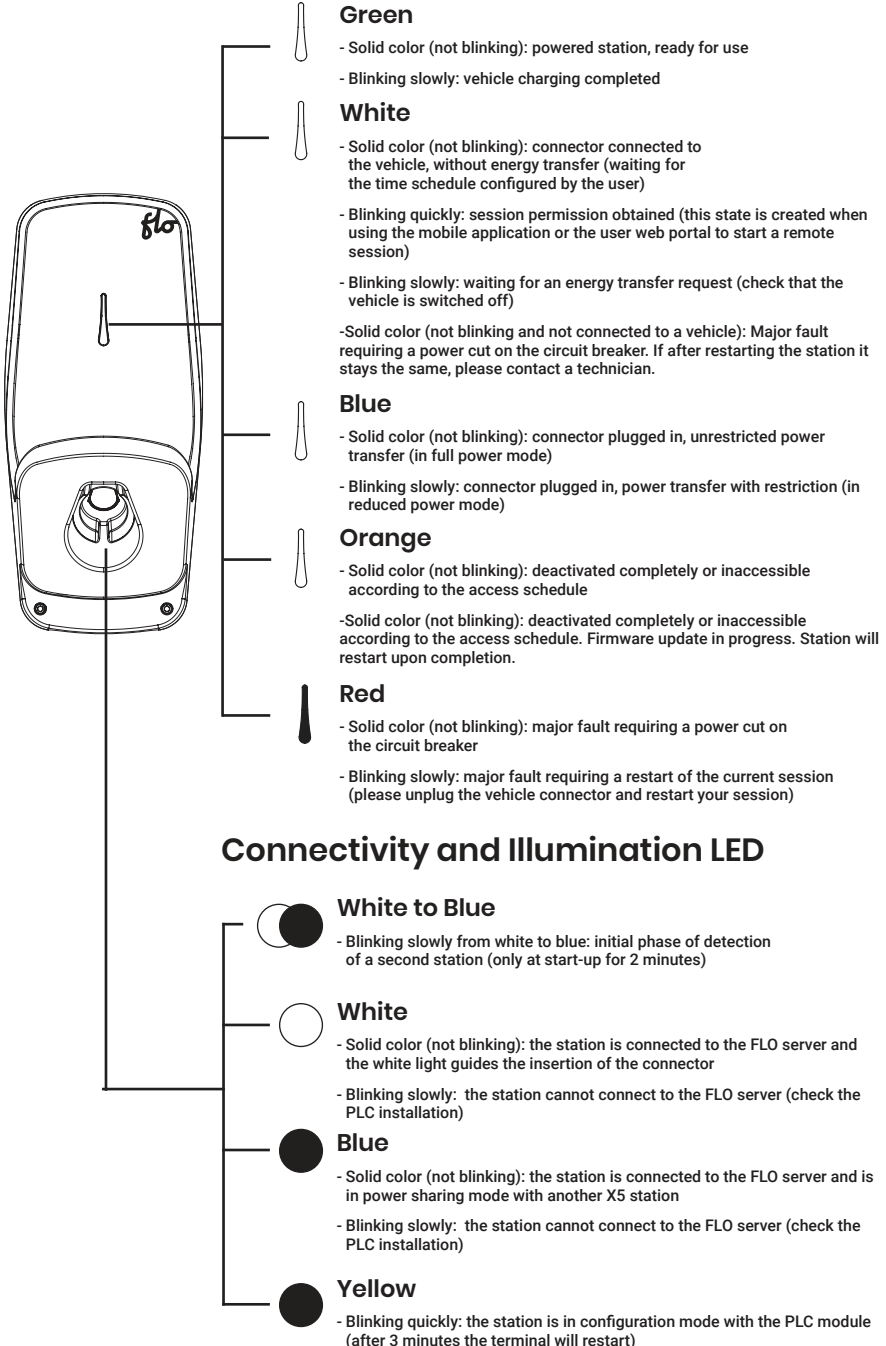


- 5 A message confirming the association should appear. Otherwise, contact our technical support for assistance.



Station Status

light indicator



Sound Indicator

- **1 short beep:** start of power transfer to vehicle
- **2 short beeps:** modification of the current setpoint
- **3 short beeps:** end of energy transfer

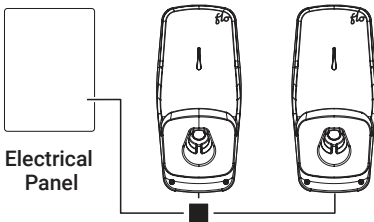
- **1 long beep:** major fault requiring a restart of the current session (please unplug the vehicle connector and restart your session)
- **2 long beeps:** major fault requiring a power interruption (please restart the station by cutting the power at the circuit breaker in the electrical panel for 10 seconds, then restore power)

Installation of a Second Station

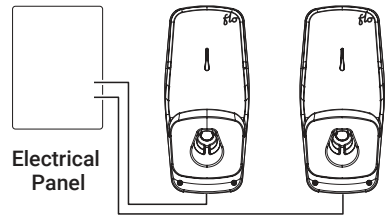
Two FLO Home X5 can be connected to a separate or on the same 40 A circuit breaker via a junction . The first charging station will automatically detect the second.

- Power splitting only works with the FLO Home X5.
- When 2 stations are connected to the same circuit breaker, their output current will be limited to 16 A each.
- The two FLO Home X5 will synchronize automatically after the power is restored.

Two-pole circuit breaker setup



2 two-pole circuit breaker setup



NOTE

After a power failure, when two stations are powered from separate circuit breakers, they are automatically configured in power sharing mode for safety purposes.

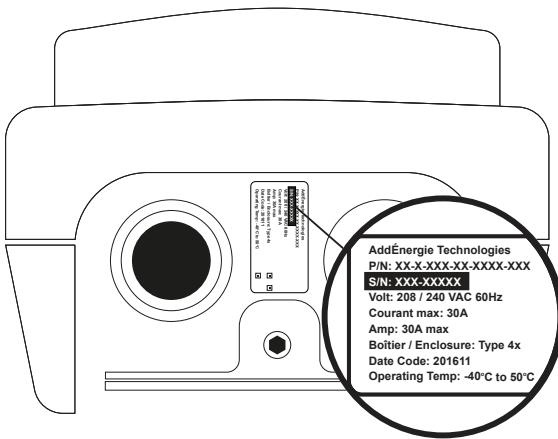
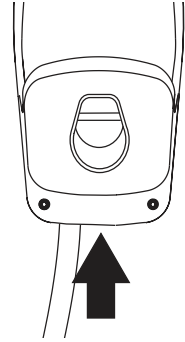
To restore full power, follow these steps:

1. Disconnect the power from the 2 stations using the 2 circuit breakers
2. Power the first station and wait for 10 seconds
3. Power the second station

Charging Station Serial Number

When contacting the customer or technical support, you may be required to provide your charging station serial number. If you do not know your charging station serial number, you can find it at the bottom of the charging station right beside the connector cable.

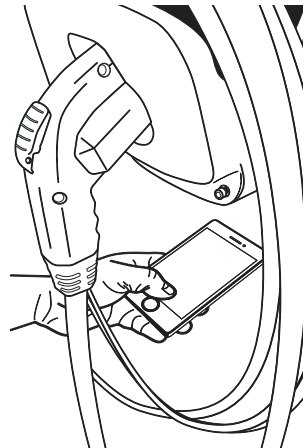
If you have any problems locating the serial number, follow the procedure below.



FLO Home charging station
bottom view

If you have a smart phone

- 1 Open the camera app and press the “reverse camera” icon.
- 2 Hold your smart phone at a 20° angle under the charging station.
- 3 Line up the phone screen with the serial number sticker.
- 4 When you see the sticker take the picture.



Warranty USA



Energy Star certified



254081

Compliance

IC statement: CAN ICES-3 (B)/NMB-3 (B)

This device complies with Industry Canada licence-exempt RSS standard(s). Operation is subject to the following two conditions: (1) this device may not cause interference, and (2) this device must accept any interference, including interference that may cause undesired operation of the device.

FCC statement (for USA only)

This equipment has been tested and found to comply with the limits for a Class B digital device, pursuant to Part 15 of the FCC Rules. Operation is subject to the following two conditions: (1) This device may not cause harmful interference, and (2) this device must accept any interference received, including interference that may cause undesired operation. Changes or modifications not expressly approved by the manufacturer could void the user's authority to operate this device. These limits are designed to provide reasonable protection against harmful interference in a residential installation. This equipment generates, uses and can radiate radio frequency energy and, if not installed and used in accordance with the instructions, may cause harmful interference to radio communications. However, there is no guarantee that interference will not occur in a particular installation. If this equipment does cause harmful interference to radio or television reception, which can be determined by turning the equipment off and on, the user is encouraged to try to correct the interference by one or more of the following measures: Reorient or relocate the receiving antenna; Increase the separation between the equipment and receiver; Connect the equipment into an outlet on a circuit different from that to which the receiver is connected; Consult the dealer or an experienced radio/television technician for help. This equipment complies with FCC radiation exposure limits set forth for an uncontrolled environment. In order to avoid the possibility of exceeding the FCC radio frequency exposure limits, human proximity to the antenna shall not be less than 20 cm during normal operation.

Compliance with safety standards

- CSA C22.2 No. 0-10 General Requirements – Canadian Electrical code, part II.
- CSA C22.2 No. 281.1-12/UL2231-1 Standard for safety for personnel protection systems for electrical vehicle (EV) supply circuits: General requirements.
- CSA C22.2 No. 281.2-12/UL2231-2 Standard for safety for personnel protection systems for electric vehicle (EV) supply circuits: Particular requirements for protection devices for use in charging systems.
- CSA C22.2 No. 280-13/UL2594 (1st edition) Electric vehicle supply equipment (EVSE).
- CSA C22.2 No. 0.8-12 Safety functions incorporating electronic technology.
- UL1998 Standard for software in programmable components.
- UL991 Standard for Tests for Safety-Related Controls Employing Solid-State Devices.
- NEC 2014 section 625.

FLO Home

This Limited Warranty (the "Warranty") is provided by FLO Services USA Inc. principal office at offices located at Corporation Trust Center, 1209 Orange Street, Wilmington, New Castle County, Delaware 19801, USA.

1. The products covered by this warranty are the FLO Home G5 Model and the FLO Home X5 Model (hereinafter referred to as the "Products").
2. Limited Warranty. Subject to the warranty exclusions described below, the Products are warranted to (i) be free from defects in material and workmanship and (ii) function in accordance with FLO's technical specifications applicable, including the user manual and any technical specifications provided at the time of purchase and any service communications (the "Product Specifications"). This Warranty only applies to the original purchaser named in the original purchase invoice for a Product (the "Purchaser"), may not be transferred and shall only apply to purchasers located in the U.S.
3. Warranty Period. This Warranty is valid for a period of five (5) years (the "Warranty Period") from date of original purchase by the Purchaser. NO WARRANTIES SHALL APPLY AFTER THE EXPIRATION OF THE APPLICABLE WARRANTY PERIOD.

4. Limited Remedies. If a Product is found by FLO after inspection to be defective or to not function in accordance with the Technical Specifications during the Warranty Period FLO's sole obligation under this Warranty is limited to performing one of the following actions, at FLO's sole and absolute discretion: (1) repairing; (2) replacing or (3) reimbursing the Purchaser for the purchase price of the Product, at FLO's sole and absolute discretion. All replacement or repaired Products are warranted only for the remainder of the original Warranty Period, prolonged only by the period during which the Product was being repaired or You acknowledge that replacement parts or Products may be remanufactured or reconditioned parts or Products which offer substantially similar functionality. Moreover, all original parts or Products that are replaced shall become FLO's sole and exclusive property. This Warranty covers both parts and labor necessary to repair or replace your eligible Product, but does not include: (a) any on-site labor costs related to removal or reinstallation of the repaired or replacement Product (each of which shall be performed upon your approval and at FLO's then-current service rate and charges), or (b) certain shipping costs described below.

5. Warranty Claim Procedure. Any claim under this Warranty must be made via e-mail to FLO Customer Service at service@flo.com to obtain a Return Material Authorization ("RMA") As part of the RMA process, you may be asked to provide information regarding the Product such as condition, model/serial number and proof of purchase. FLO will provide a shipping label that will cover mailing costs associated with transporting the Product within the United States only to FLO for evaluation and, if the product is eligible for Warranty, coverage, FLO shall be responsible for costs related to returning the Product to the Purchaser's address designated in its RMA, so long as the address is within the United States. FLO will not cover costs associated with shipping the Product from another country. Additional fees will apply to return the Product to an address in another country. Customer service contact information is at www.flo.com. Any Product determined to be ineligible for service under this Warranty will be returned, repaired or replaced upon your approval at FLO's then-current service rate and charges.

6. Exclusion of FLO's Warranty does not apply to any Product that has been installed, removed, handled, altered, disassembled or repaired by any person other than a service provider authorized by FLO, or where the original Product identification (e.g. serial number, logos, copyright notices and trademarks) has been removed, altered or degraded. The Warranty does not apply to any damage to a Product resulting from: (i) improper site preparation or maintenance, installation, neglect (including damage caused by a vehicle), abuse, vandalism or improper use of the Product including any use that is not in accordance with the applicable Product Specifications; (ii) normal wear and tear, cosmetic or superficial damage, normal aging, scratches, stains, dents or exterior fading; (iii) accident, fire or exposure to any other hazard (including extreme power surge, extreme electromagnetic field or any acts of nature such as earthquakes, tornados, floods, biological infestations, snow, lightning, etc.) or (iv) any other reason beyond FLO's control. OTHER THAN AS SET OUT IN THIS WARRANTY, FLO DISCLAIMS TO THE FULLEST EXTENT PERMITTED BY LAW ALL WARRANTIES AND CONDITIONS OF ANY KIND, WHETHER EXPRESS OR IMPLIED, INCLUDING, BUT NOT LIMITED TO, THE IMPLIED WARRANTIES AND CONDITIONS OF MERCHANTABILITY, FITNESS FOR A PARTICULAR PURPOSE AND NON-INFRINGEMENT WITH RESPECT TO THE PRODUCTS. IN NO EVENT SHALL FLO BE LIABLE FOR INDIRECT, SPECIAL, INCIDENTAL, EXEMPLARY, PUNITIVE OR CONSEQUENTIAL DAMAGES OF ANY NATURE (EVEN IF THE ADVENT OF SUCH DAMAGE WAS KNOWN OR COULD HAVE BEEN KNOWN BY FLO) OR ANY CAUSE OF ACTION IN CONNECTION WITH PRODUCT MALFUNCTION OR IN CONNECTION WITH THE PRODUCTS, THEIR PURCHASE, THEIR HANDLING, INSTALLATION OR USE BY THE PURCHASER AND/OR ANY PERSON AUTHORIZED BY THE PURCHASER RESULTING FROM ANY BREACH OF WARRANTY OR CONDITION OR UNDER ANY OTHER LEGAL THEORY, INCLUDING BUT NOT LIMITED TO LOSS OF USE; LOSS OF REVENUE; LOSS OF ACTUAL OR ANTICIPATED PROFITS (INCLUDING LOSS OF PROFITS ON CONTRACTS); LOSS OF THE USE OF MONEY; LOSS OF ANTICIPATED SAVINGS; LOSS OF BUSINESS; LOSS OF OPPORTUNITY; LOSS OF GOODWILL; LOSS OF REPUTATION; LOSS OF OR DAMAGE TO OTHER PROPERTY SUCH AS AN AUTOMOBILE; OR ANY INDIRECT OR CONSEQUENTIAL LOSS OR DAMAGE HOWSOEVER CAUSED INCLUDING THE REPLACEMENT OF EQUIPMENT AND PROPERTY. FLO does not warrant that the Products or related services will be error-free or will operate without interruption. IN NO EVENT SHALL FLO'S AGGREGATE LIABILITY FOR ALL CLAIMS RELATED TO THE PRODUCTS AND RELATED SERVICES TO YOU EXCEED THE PURCHASE PRICE YOU PAID FOR THE PRODUCTS. THE REMEDIES IN THIS WARRANTY ARE YOUR SOLE AND EXCLUSIVE REMEDIES. SOME JURISDICTIONS DO NOT ALLOW THE EXCLUSION OR LIMITATION OF CERTAIN WARRANTIES, SO THE ABOVE LIMITATION MAY NOT APPLY TO YOU. No Product reseller, agent or employee is authorized to make any modification, extension or addition to this Warranty. If any term is held to be illegal or unenforceable, the remaining terms shall not be affected or impaired. This Warranty is governed by and construed under the laws of the state of Delaware, exclusive of its conflicts of laws principles. The U.N. Convention on Contracts for the International Sale of Goods shall not apply.

Warranty CA



Compliance

IC statement: CAN ICES-3 (B)/NMB-3 (B)

This device complies with Industry Canada licence-exempt RSS standard(s). Operation is subject to the following two conditions: (1) this device may not cause interference, and (2) this device must accept any interference, including interference that may cause undesired operation of the device.

FCC statement (for USA only)

This device complies with Part 15 of the FCC Rules. Operation is subject to the following two conditions: (1) This device may not cause harmful interference, and (2) this device must accept any interference received, including interference that may cause undesired operation. This equipment has been tested and found to comply with the limits for a Class B digital device. These limits are designed to provide reasonable protection against harmful interference in a residential installation. This equipment generates, uses and can radiate radio frequency energy and, if not installed and used in accordance with the instructions, may cause harmful interference to radio communications. However, there is no guarantee that interference will not occur in a particular installation. If this equipment does cause harmful interference to radio or television reception, which can be determined by turning the equipment off and on, the user is encouraged to try to correct the interference by one or more of the following measures: Reorient or relocate the receiving antenna; Increase the separation between the equipment and receiver; Connect the equipment into an outlet on a circuit different from that to which the receiver is connected; Consult the dealer or an experienced radio/television technician for help.

Compliance with safety standards

- CSA C22.2 No. 0-10 General Requirements – Canadian Electrical code, part II.
- CSA C22.2 No. 281.1-12/UL2231-1 Standard for safety for personnel protection systems for electrical vehicle (EV) supply circuits: General requirements.
- CSA C22.2 No. 281.2-12/UL2231-2 Standard for safety for personnel protection systems for electric vehicle (EV) supply circuits: Particular requirements for protection devices for use in charging systems.
- CSA C22.2 No. 280-13/UL2594 (1st edition) Electric vehicle supply equipment (EVSE).
- CSA C22.2 No. 0.8-12 Safety functions incorporating electronic technology.
- UL1998 Standard for software in programmable components.
- UL991 Standard for Tests for Safety-Related Controls Employing Solid-State Devices.
- NEC 2014 section 625.

FLO Home™

This Limited Warranty (the "Warranty") is provided by Services Flo Inc. of 2800 Louis Lumière, suite 100, Québec (Québec) G1P 0A4 Canada ("FLO").

1. Products. The products covered by this warranty are the FLO Home™ G5 Model and the FLO Home™ X5 Model (hereinafter referred to as the "Products").
2. Limited Warranty. Subject to the warranty exclusions described below, the Products are warranted to (i) be free from defects in material and workmanship and (ii) function in accordance with FLO's technical specifications, including the user manual and any technical specifications provided at the time of purchase and any service communications (the "Product Specifications"). This Warranty only applies to the original purchaser named in original purchase invoice for a Product (the "Purchaser"), may not be transferred and shall only apply to purchasers located in Canada.
3. Warranty Period. The terms and conditions of this Warranty are valid for a period of three (3) years (the "Warranty Period") from date of original purchase by the Purchaser. NO WARRANTIES SHALL APPLY AFTER THE EXPIRATION OF THE APPLICABLE WARRANTY PERIOD.

4. Limited Remedies. If a Product is found by FLO after inspection to be defective or to not function in accordance with the Technical Specifications during the Warranty Period FLO's sole obligation under this Warranty is limited to performing one of the following actions, at FLO's sole and absolute discretion: (1) repairing; (2) replacing or (3) reimbursing the Purchaser for the purchase price of the Product. All replacement or repaired Products are warranted only for the remainder of the original Warranty Period, prolonged only by the period during which the Product was being repaired or replaced. You acknowledge that replacement parts or Products may be remanufactured or reconditioned parts or Products which offer substantially similar functionality. Moreover, all original parts or Products that are replaced shall become FLO's sole and exclusive property. This Warranty covers both parts and labor necessary to repair or replace your eligible Product, but does not include: (a) any on-site labor costs related to removal or reinstallation of the repaired or replacement Product (each of which shall be performed upon your approval and at FLO's then-current service rate and charges), or (b) certain shipping costs described below.

5. Warranty Claim Procedure. Any claim under this Warranty must be made via FLO Customer Service at service@flo.ca to obtain a Return Material Authorization ("RMA") number. As part of the RMA process, you may be asked to provide information regarding the Product such as condition, model/serial number and proof of purchase. FLO will provide a shipping label that will cover mailing costs associated with transporting the Product within Canada only to FLO for evaluation and, if the product is eligible for Warranty, coverage, FLO shall be responsible for costs related to returning the Product to the Purchaser's address designated in its RMA, so long as the address is in Canada. FLO will not cover costs associated with shipping the Product from another country. Additional fees will apply to return the Product to an address in another country. Customer service contact information is at www.flo.ca. Any Product determined to be ineligible for service under this Warranty will be returned, repaired or replaced upon your approval at FLO's then-current service rate and charges.

6. Exclusion of Warranty. FLO's Warranty does not apply to any Product that has been installed, removed, handled, altered, disassembled or repaired by any person other than a service provider authorized by FLO, or where the original Product identification (e.g. serial number, logos, copyright notices and trademarks) has been removed, altered or degraded. The Warranty does not apply to any damage to a Product resulting from: (i) improper site preparation or maintenance or installation, neglect (including damage caused by a vehicle), abuse, vandalism or improper use of the Product including any use that is not in accordance with the applicable Product Specifications; (ii) normal wear and tear, cosmetic or superficial damage, normal aging, scratches, stains, dents or exterior fading; (iii) accident, fire or exposure to any other hazard (including extreme power surge, extreme electromagnetic field or any acts of nature such as earthquakes, tornados, floods, biological infestations, snow, lightning, etc.) or (iv) any other reason beyond FLO's control. OTHER THAN AS SET OUT IN THIS WARRANTY, FLO DISCLAIMS TO THE FULLEST EXTENT PERMITTED BY LAW ALL WARRANTIES AND CONDITIONS OF ANY KIND, WHETHER EXPRESS OR IMPLIED, INCLUDING, BUT NOT LIMITED TO, THE IMPLIED WARRANTIES AND CONDITIONS OF MERCHANTABILITY, FITNESS FOR A PARTICULAR PURPOSE AND NONINFRINGEMENT WITH RESPECT TO THE PRODUCTS. IN NO EVENT SHALL FLO BE LIABLE FOR INDIRECT, SPECIAL, INCIDENTAL, EXEMPLARY, PUNITIVE OR CONSEQUENTIAL DAMAGES OF ANY NATURE (EVEN IF THE ADVENT OF SUCH DAMAGE WAS KNOWN OR COULD HAVE BEEN KNOWN BY FLO) OR ANY CAUSE OF ACTION IN CONNECTION WITH PRODUCT MALFUNCTION OR IN CONNECTION WITH THE PRODUCTS, THEIR PURCHASE, THEIR HANDLING, INSTALLATION OR USE BY THE PURCHASER AND/OR ANY PERSON AUTHORIZED BY THE PURCHASER RESULTING FROM ANY BREACH OF WARRANTY OR CONDITION OR UNDER ANY OTHER LEGAL THEORY, INCLUDING BUT NOT LIMITED TO LOSS OF USE; LOSS OF REVENUE; LOSS OF ACTUAL OR ANTICIPATED PROFITS (INCLUDING LOSS OF PROFITS ON CONTRACTS); LOSS OF THE USE OF MONEY; LOSS OF ANTICIPATED SAVINGS; LOSS OF BUSINESS; LOSS OF OPPORTUNITY; LOSS OF GOODWILL; LOSS OF REPUTATION; LOSS OF OR DAMAGE TO OTHER PROPERTY SUCH AS AN AUTOMOBILE; OR ANY INDIRECT OR CONSEQUENTIAL LOSS OR DAMAGE HOWSOEVER CAUSED INCLUDING THE REPLACEMENT OF EQUIPMENT AND PROPERTY. FLO DOES NOT WARRANT THAT THE PRODUCTS OR RELATED SERVICES WILL BE ERROR-FREE OR WILL OPERATE WITHOUT INTERRUPTION. IN NO EVENT SHALL FLO'S AGGREGATE LIABILITY FOR ALL CLAIMS RELATED TO THE PRODUCTS AND RELATED SERVICES TO YOU EXCEED THE PURCHASE PRICE YOU PAID FOR THE PRODUCTS. THE REMEDIES IN THIS WARRANTY ARE YOUR SOLE AND EXCLUSIVE REMEDIES. SOME JURISDICTIONS DO NOT ALLOW THE EXCLUSION OR LIMITATION OF CERTAIN WARRANTIES, SO THE ABOVE LIMITATION MAY NOT APPLY TO YOU. No Product reseller, agent or employee is authorized to make any modification, extension or addition to this Warranty. If any term is held to be illegal or unenforceable, the remaining terms shall not be affected or impaired. This Warranty is governed by and construed under the laws of the province in which the Product purchase took place.

flo®

FLO Maison modèle X5

Guide d'installation

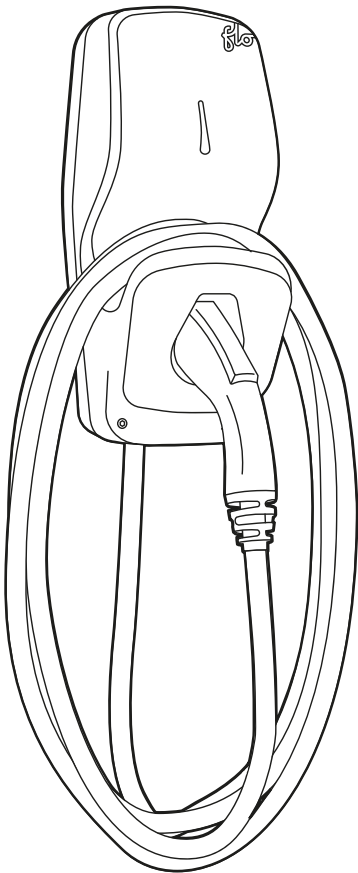


Table des matières

Consignes de sécurité	24
Planification de votre installation	25
Contenu de la boîte	26
Installation de la borne	27
Installation du CPL	30
Association de la borne à votre compte	32
Indicateurs lumineux	34
Indicateur sonore	35
Installation d'une deuxième borne	36
Numéro de série de la borne de recharge	37
Garantie	38

Spécifications techniques

Boîtier : 100% aluminium certifié NEMA 4X conçu pour une installation extérieure ou intérieure

Finition : fini haute résistance argent métallisé (boîtier avant)

Tension : 208 - 240 V @ 60 Hz

Courant de sortie : ajustable de 6 A à 30 A

Puissance de sortie maximale : 7.2 kW @ 240 V ou 6.2 kW @ 208 V

Câble de recharge : 7.62 m (25 pieds) ultra souple

Connecteur de recharge : SAE J1772^{MC} conçu pour plus de 10 000 cycles de recharge

Dispositifs de sûreté : Disjoncteur de défaut de fuite à la terre (DDFT) intégré (20 mA, 3 réenclenchements espacés de 15 minutes)

Température de fonctionnement : -40°C à 50°C (-40°F à 122°F)

Poids avec câble, connecteur et plaque : 11.23 kg (24.76 lbs)

Interface de communication : Courant porteur en ligne (CPL)

Le style du connecteur peut varier

Bornier: taille maximale 6AWG

Consignes de sécurité

INSTRUCTIONS RELATIVES AUX RISQUES D'INCENDIE OU DE CHOC ÉLECTRIQUE CONSERVER CES INSTRUCTIONS

AVERTISSEMENT : Lors de l'utilisation d'appareils électriques, des précautions de base doivent toujours être respectées. Ce manuel contient des instructions importantes qui doivent être suivies lors de l'installation, l'exploitation et la maintenance de l'appareil. **Veillez lire ce guide attentivement avant d'entreprendre l'installation de la borne de recharge.**

1. **IMPORTANT** - Pour réduire le risque d'incendie, connecter uniquement à un circuit de dérivation fourni avec une protection de surintensité de 40 ampères maximum conformément avec le Code canadien de l'électricité (CSA C22.1-12) et le Code national de l'électricité (ANSI / NFPA 70).
2. Cette borne de recharge a été conçue pour une fixation au mur ou sur poteau.
3. Vous devez vous assurer que les types de surface de montage pour le mur ou le poteau sont assez forts pour supporter le poids de la borne et que les ancrages utilisés sont compatibles avec le type de surface.
4. Assurez-vous que l'espace où vous installerez la borne ne comporte aucune canalisation, installation électrique ou installation électrique souterraine, auquel cas vous risqueriez de vous infliger de graves blessures.
5. Raccordez l'alimentation électrique de la borne de recharge avec des conducteurs de cuivre de calibre 6 AWG à 8 AWG conformes à une utilisation d'au moins 75 °C.
6. Ce produit doit être raccordé à un réseau de câblage mis à la terre, métallique et permanent, ou un conducteur de mise à la terre de l'appareil doit être ajouté au circuit et raccordé à la borne de terre de l'appareil ou au conducteur d'alimentation de l'appareil, par un électricien agréé.
7. Consulter un contracteur agréé, un électricien agréé ou un installateur formé pour assurer la conformité au code local du bâtiment, à la réglementation locale, aux normes de sécurité et aux conditions climatiques.
8. Toute modification d'une pièce de la borne de recharge en annulera la garantie.
9. Les pièces peuvent présenter des arêtes vives, les manipuler avec attention. Utiliser des lunettes et des gants de sécurité lors du déballage et au cours de l'installation.
10. Les câbles d'alimentation de la borne de recharge doivent rencontrer les exigences minimales de FT2 pour la flammabilité.
11. Le connecteur de réduction de tension du câble d'alimentation, le conduit ou les raccords et garnitures du câble armé :
 - A) doivent être agréés pour le Canada et les États-Unis;
 - B) doivent être étanches à l'eau (NEMA 4X);
 - C) doivent être adaptés au diamètre extérieur du câble choisi et adaptés au montage dans une ouverture d'un diamètre de 28,17 mm (1,109 po) (pour la connexion à travers l'ouverture prévue pour l'insertion du câble).

Consignes générales de sécurité

L'utilisation de la borne de recharge en présence d'enfants nécessite une constante supervision.

Ne jamais mettre les doigts dans la connexion du véhicule électrique.

Ne pas utiliser la borne si le cordon souple ou le câble VÉ est effiloché, si l'isolant est endommagé, ou s'il présente tout autre signe d'endommagement.

Ne pas utiliser la borne si le boîtier ou la prise VÉ est endommagé, fissuré, ouvert, ou s'il présente tout autre signe d'endommagement.

Cette borne de recharge a été conçue pour une utilisation avec véhicules électriques munis d'un connecteur SAE J1772.

Cette borne de recharge doit être utilisée pour la recharge de véhicules ne demandant pas un environnement ventilé lors de la recharge.

Assurez-vous de toujours déconnecter l'alimentation électrique de la borne de recharge avant d'en faire l'entretien. N'insérez jamais votre doigt dans la prise électrique du véhicule.

Planification de votre installation

ÉLÉMENTS IMPORTANTS À CONSIDÉRER LORS DE L'INSTALLATION

La borne doit être installée par un électricien agréé.

La borne contient une protection intégrée contre les surtensions et les fuites de courant vers la terre.

Toute modification d'une pièce de la borne de recharge en annulera la garantie.

Le raccordement de votre nouvelle borne de recharge nécessite :

- Une alimentation de type « monophasée » 120/240 VAC (figure 1) ou « triphasée » 120/208 VAC (figure 2)
- Un raccordement avec des câbles en cuivre de calibre 6 à 8 AWG
- Une protection par un disjoncteur deux pôles de 40 A
- 2 phases et une connexion à la terre avec 120 VAC entre chaque phase et la terre

À NOTER : le neutre n'est pas requis.

Puissance de sortie maximale : 7,2 kW @ 240 V ou 6,2 kW @ 208 V

Figure 1

**Alimentation de type
« monophasée »
120/240 VAC**

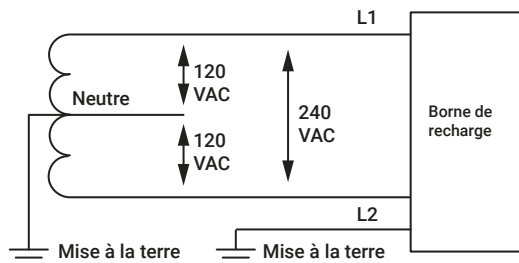
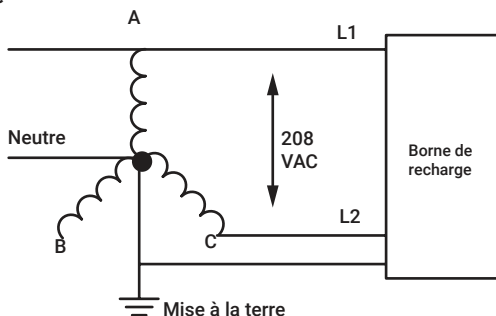


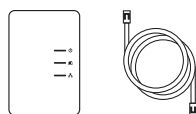
Figure 2

**Alimentation de type
« triphasée »
120/208 VAC**

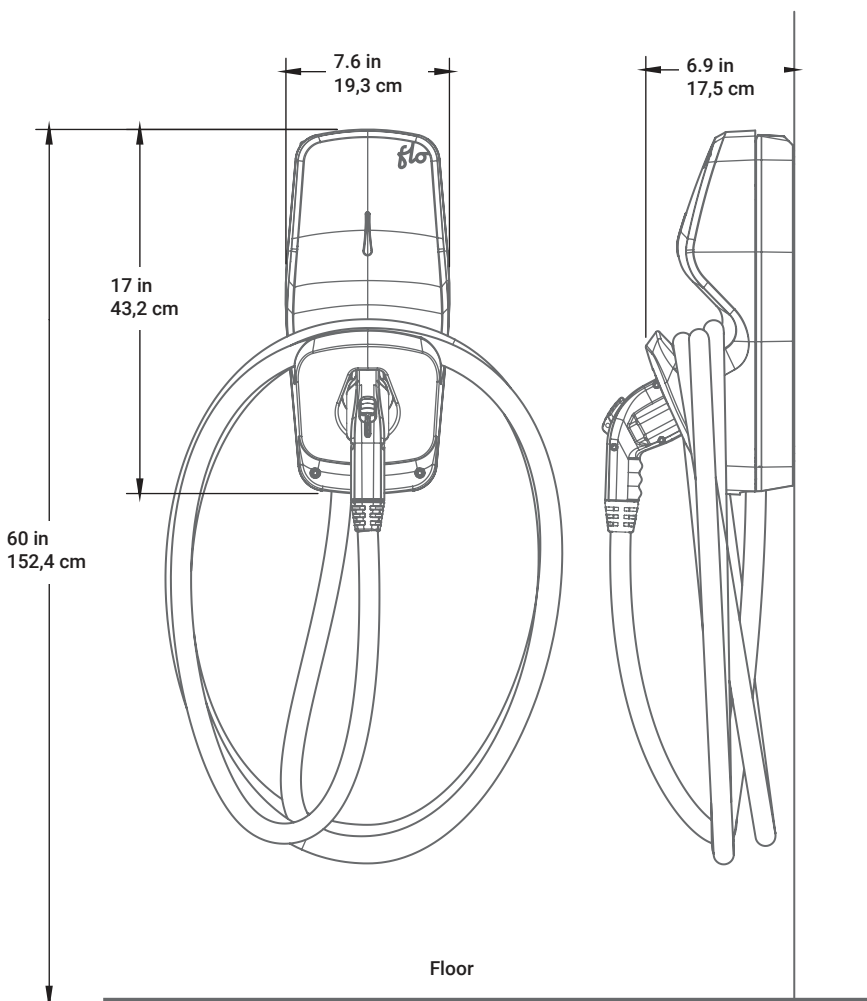


Contenu de la boîte

1. Borne de recharge
2. Câble et connecteur de recharge
3. Plaque de montage
4. Module CPL et câble Ethernet
5. Carte avec code d'association



Hauteur recommandée afin de faciliter la manipulation du connecteur, en plus d'éviter au câble de toucher le sol.

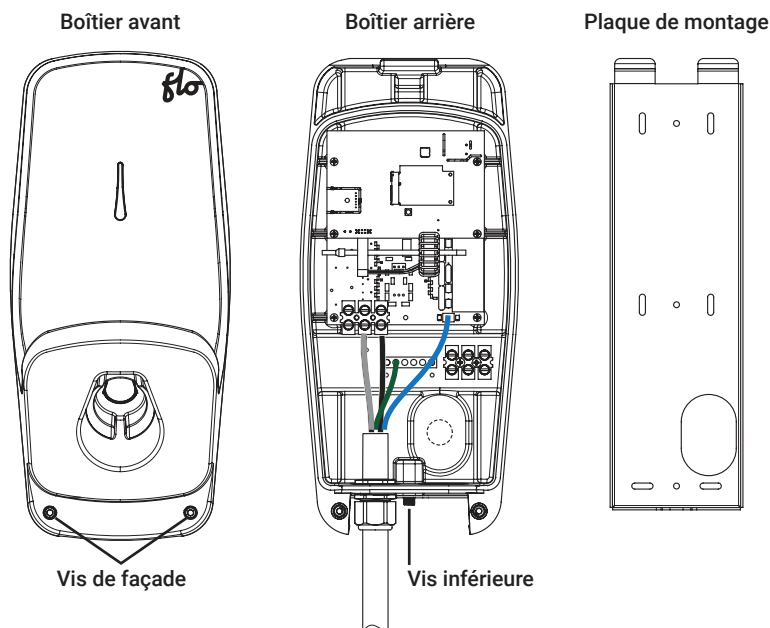


Installation de la borne

Conçue pour des maisons unifamiliales

ATTENTION: Votre borne doit être installée par un électricien agréé.

- 1 Désassembler le boîtier avant en enlevant les 2 vis de façade puis séparer la plaque de montage en dévissant la vis inférieure.



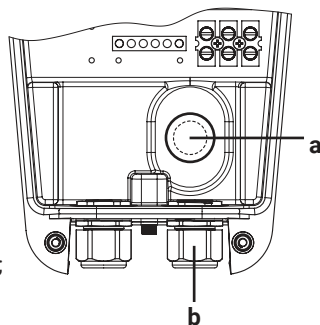
NOTE

L'entrée du câble d'alimentation peut arriver de l'arrière (a) ou sous la borne (b) :

- Ouvertures prépercées de 3/4" (a) et (b)
- Retirer un seul bouchon
- Serre-fils non inclus

Le connecteur de réduction de tension du câble d'alimentation, le conduit ou les raccords et garnitures du câble armé :

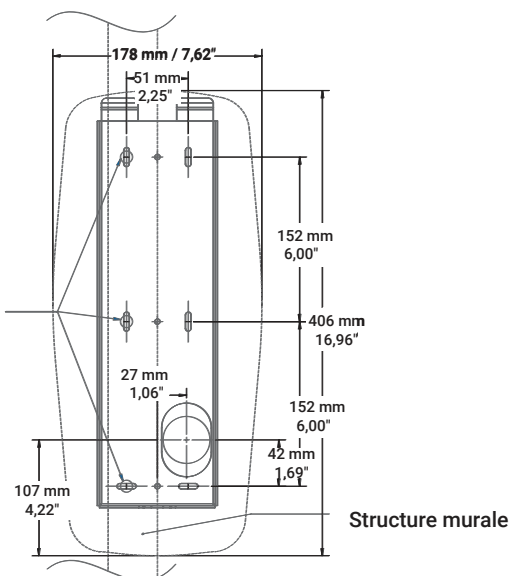
- A) doivent être agréés pour le Canada et les États-Unis;
- B) doivent être étanches à l'eau (NEMA 4X);
- C) doivent être adaptés au diamètre extérieur du câble choisi et adaptés au montage dans une ouverture d'un diamètre de 28,17 mm (1,109 po) (pour la connexion à travers l'ouverture prévue pour l'insertion du câble).



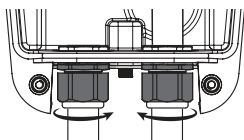
- 2 Utiliser la plaque de montage comme gabarit de perçage après avoir déterminé l'entrée à utiliser, soit à l'arrière ou sous la borne.

- 3** Fixer la plaque de montage solidement à une surface stable en utilisant un minimum de 3 vis d'ancrage.

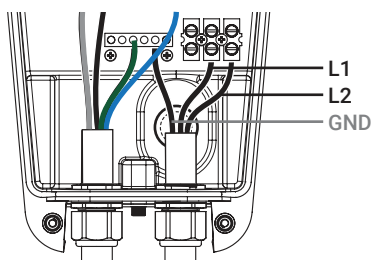
Vis d'ancrage
Minimum de 3
Maximum de 6



- 4** Insérer les conducteurs et fixer le serre-fils au boîtier arrière de façon à ce que les conducteurs soient assez longs pour atteindre les borniers.
- 5** Serrez l'écrou du connecteur. Assurez-vous que le fil est sécurisé.



- 6** Fixer le boîtier arrière de la borne à la plaque de montage.
- 7** Visser la vis inférieure pour sécuriser le montage.
- 8** Connecter le fil de mise à la terre (GND) ainsi que les deux fils d'alimentation (L1 et L2). Assurez-vous que le fil est sécurisé.



Couple nominal des fils :

L1-L2 : 6 AWG = 16 lb-po

8 AWG = 16 lb-po

GND : 6 AWG = 45 lb-po

8 AWG = 40 lb-po

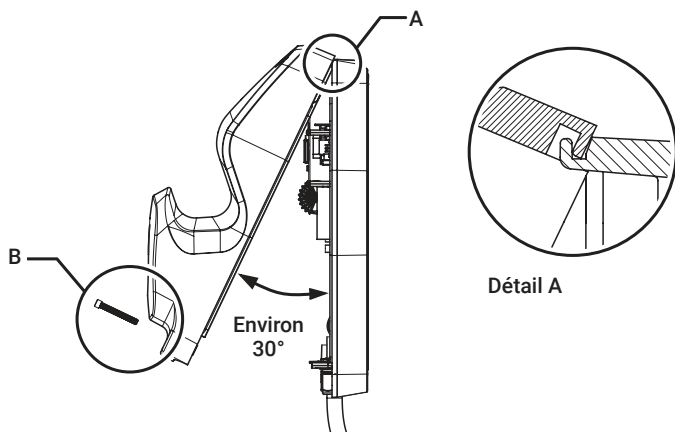
ATTENTION :

TOUJOURS utiliser un tournevis manuel;
NE PAS utiliser de tournevis à percussion
(impact driver) pour les vis de la borne,
auquel cas la garantie ne sera plus valide.

9 Installer le boîtier avant de la borne de recharge :

A) Accrocher le haut en présentant le capot à un angle d'environ 30 degrés, puis pivoter à la verticale sans forcer.

B) Serrer les 2 vis de façade avec un couple de serrage nominal de 55 lb-po.



10 Activer le disjoncteur du panneau électrique.

Installation du CPL

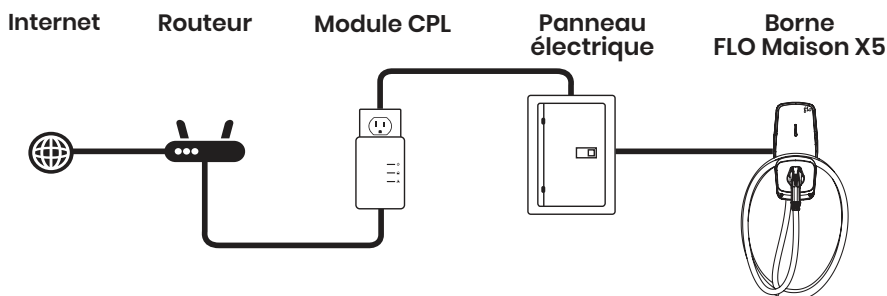
Afin de raccorder votre nouvelle borne FLO Maison X5 à votre compte FLO, vous devez connecter le module CPL (inclus).

Pour ce faire, vous avez besoin des éléments suivants:

1. Un accès à Internet
2. Une prise Ethernet libre sur votre routeur
3. Une prise d'alimentation électrique murale libre à proximité de votre routeur

1 Relier une extrémité du câble Ethernet (inclus) à votre module CPL et l'autre extrémité à un port libre de votre routeur.

2 Brancher le module CPL dans une prise électrique murale.



IMPORTANT : Dans le cas où il y a deux ou plusieurs panneaux électriques dans votre maison, assurez-vous que le module CPL et la FLO Maison X5 sont branchés sur le même câblage et connectés sur le même panneau électrique sinon, le module CPL et la borne ne pourront pas communiquer ensemble.

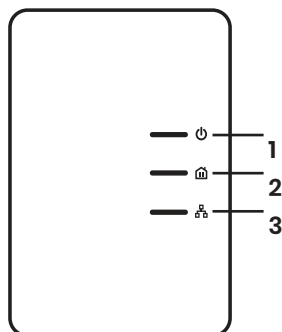
Ne pas connecter le module CPL dans un dispositif de protection contre les surtensions (parasurtenseur), une rallonge ou une multiprise.

Sur un système triphasé, assurez-vous que le module CPL est connecté à une prise qui partage l'une des phases alimentant la station de recharge.

3 Vérification de la connexion du CPL

La borne et le module CPL sont préconfigurés en usine pour se connecter automatiquement.

Après 30 secondes, vérifier que les 3 voyants du module CPL soient tous allumés.



Les trois lumières allumées vous indiquent que la connexion est réussie.

1 Voyant d'alimentation

- ALLUMÉ : Le périphérique reçoit une alimentation électrique.
- CLIGNOTE : Le périphérique se configure automatiquement après une réinitialisation, l'actionnement du bouton de connexion ou l'activation du mode d'économie d'énergie.
- DÉSACTIVÉ : Le périphérique ne reçoit pas d'alimentation électrique.

2 Voyant CPL

- CLIGNOTE LENTEMENT (ROUGE) : Le module CPL est connecté à votre borne, la borne devrait être disponible dans le portail web et l'application mobile.
- CLIGNOTE (VERT, JAUNE) : Un autre périphérique est connecté avec le module CPL.
- DÉSACTIVÉ : Le périphérique n'a pas détecté votre borne.

3 Voyant Ethernet

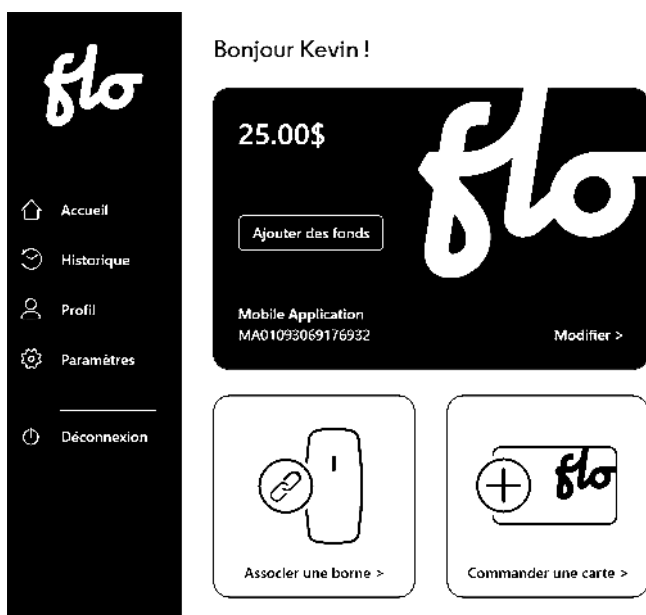
- ALLUMÉ : Le port Ethernet est connecté à votre routeur.
- DÉSACTIVÉ : Il n'y a pas de connexion Ethernet.

**CPL : La technologie de communication par courant porteur en ligne permet de construire un réseau informatique sur le réseau électrique de votre maison.*

Association de la borne à votre compte FLO

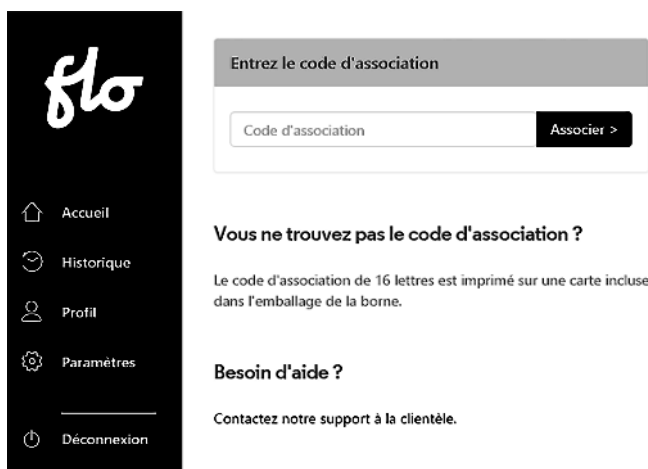
Lorsque votre borne est alimentée et le module CPL installé, la borne se connecte automatiquement à l'Internet. Cela peut prendre jusqu'à 10 minutes la première fois. Vous n'avez qu'à vous connecter à votre compte FLO pour accéder à votre nouvelle borne. Si votre nouvelle borne n'est pas présente dans votre compte, vous pouvez l'ajouter à l'aide du code d'association inclus à l'intérieur de la boîte de la borne.

- 1 Si ce n'est déjà fait, vous pouvez créer votre compte FLO. À l'aide de votre navigateur web préféré, rendez-vous sur <https://flo.ca/inscription> et suivez les instructions.
- 2 Connectez-vous à votre compte FLO. <https://flo.ca/connexion>.



- 3 Cliquer sur « Associer une borne ».

- 4** Entrer le code d'association de 16 caractères se trouvant sur la carte incluse avec votre nouvelle borne, puis cliquer sur « Associer ».

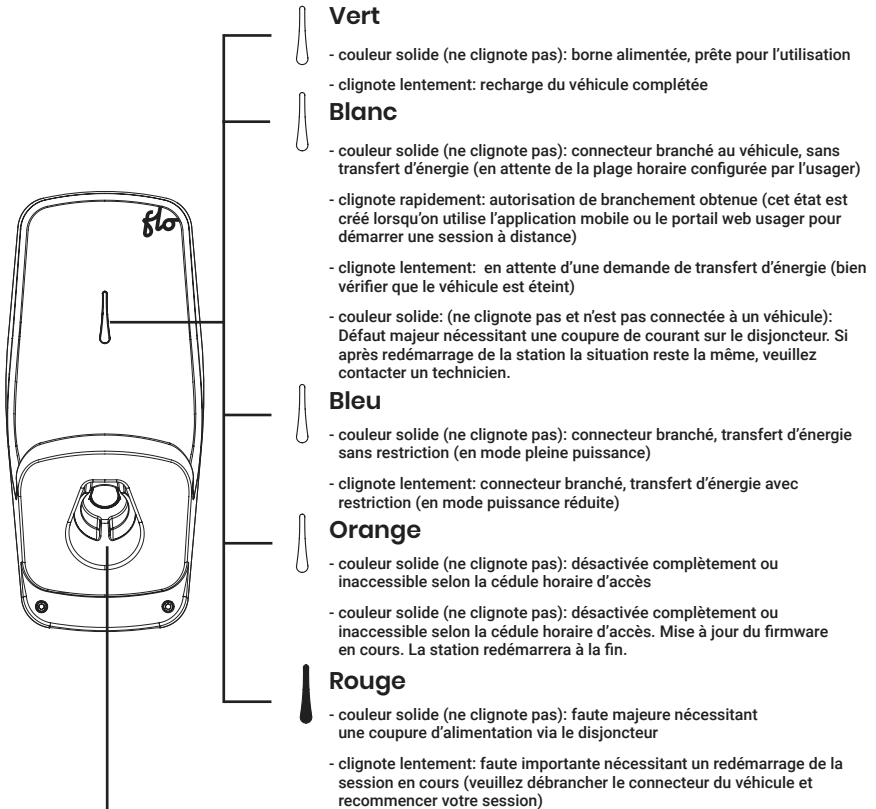


- 5** Un message confirmant l'association devrait apparaître. Autrement, contactez notre soutien technique pour obtenir de l'aide.

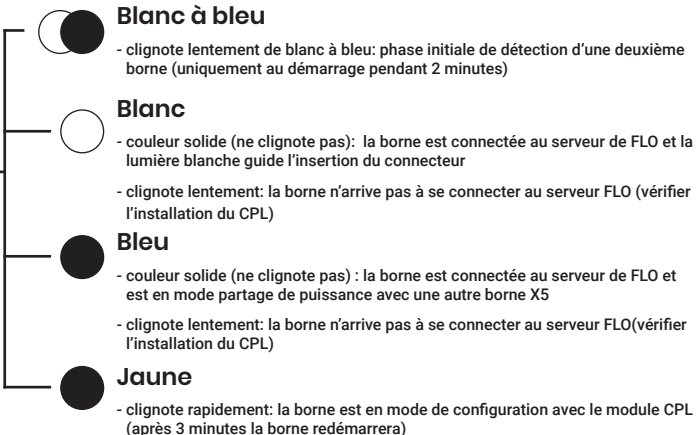


États de la borne

Indicateurs lumineux



Indicateur de connectivité et éclairage



Indicateur sonore

- **1 court bip** : début du transfert de puissance au véhicule
- **2 courts bips** : modification de la consigne de courant
- **3 courts bips** : fin du transfert d'énergie

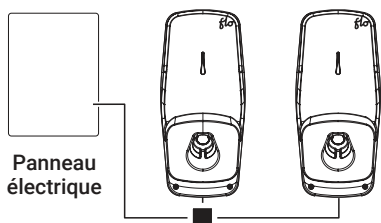
- **1 long bip** : faute importante nécessitant un redémarrage de la session en cours (veuillez débrancher le connecteur du véhicule et recommencer votre session)
- **2 longs bips** : faute majeure nécessitant une coupure d'alimentation (veuillez redémarrer la borne en coupant l'alimentation à l'aide du disjoncteur de la boîte électrique pendant 10 secondes, puis rétablissez l'alimentation en remettant le disjoncteur en place)

Installation d'une deuxième borne

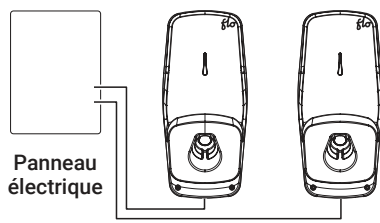
Deux FLO Maison X5 peuvent être alimentées sur deux disjoncteurs distincts de 40 A d'un même panneau électrique ou sur un même disjoncteur de 40A via une boîte de jonction. La borne de recharge détectera automatiquement si elle partage son circuit d'alimentation avec une autre FLO Maison X5.

- Le partage de puissance ne peut être effectué qu'avec des bornes de recharge FLO Maison X5.
- Lorsque 2 bornes sont connectées à un même panneau électrique, leur courant de sortie sera limité par défaut à 16 A.
- La synchronisation des deux FLO Maison X5 s'effectue dès les premiers instants suivant l'alimentation.

Configuration avec un seul disjoncteur deux pôles



Configuration avec deux disjoncteurs deux pôles



NOTE

Suite à une panne de courant, lorsque 2 bornes sont alimentées à partir de disjoncteurs distincts, elles se configurent automatiquement en mode de partage de puissance par mesure de sécurité.

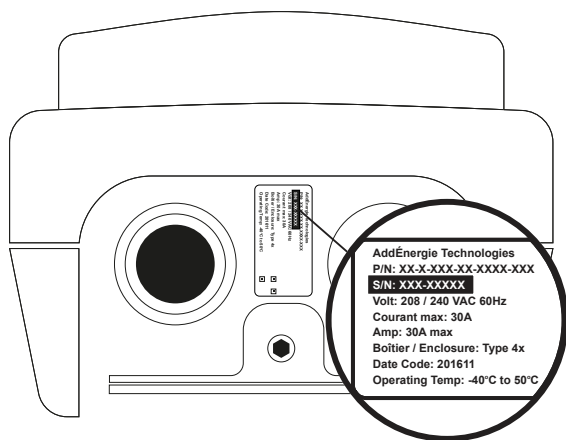
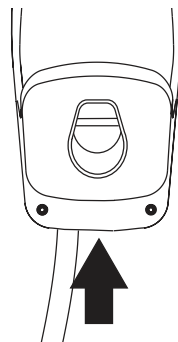
Afin de rétablir la pleine puissance, suivez ces étapes :

1. Coupez l'alimentation des 2 bornes à l'aide des 2 disjoncteurs
2. Alimentez la première borne et attendez 10 secondes
3. Alimentez la seconde borne

Numéro de série de la borne de recharge

Lorsque vous contactez le service à la clientèle ou l'assistance technique, vous devrez fournir le numéro de série de votre borne de recharge. Si vous ne connaissez pas votre numéro de série, vous pouvez le trouver au bas de la borne juste à côté du câble du pistolet.

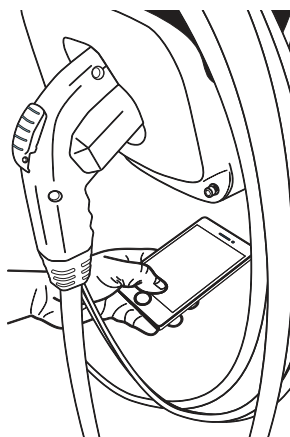
Si vous avez des problèmes à localiser le numéro de série, suivez la procédure ci-dessous.



Vue de dessous de la Borne FLO Maison

Si vous avez un téléphone intelligent

- 1 Ouvrez l'application « caméra » et appuyez sur l'icône "inverser la camera".
- 2 Tenez votre téléphone intelligent à un angle de 20° sous la borne de recharge.
- 3 Cadrer l'écran du téléphone avec l'autocollant du numéro de série.
- 4 Lorsque vous voyez l'autocollant prendre la photo.



Garantie CA



Conformité

Ce dispositif est conforme aux normes CNR exemptes de licence du Ministère canadien de l'Industrie. Son utilisation est soumise aux deux conditions suivantes : (1) le dispositif concerné ne doit pas causer d'interférences et (2) il doit accepter toute interférence reçue, y compris les interférences risquant d'engendrer un fonctionnement indésirable.

Conformité aux normes de sécurité :

- CSA C22.2 No. 0-10 Exigences générales – Code canadien de l'électricité, partie II.
- CSA C22.2 No. 281.1-12/UL2231-1 Norme de sécurité sur les systèmes de protection du personnel pour les circuits d'alimentation des véhicules électriques (VÉ) : exigences générales.
- CSA C22.2 No. 281.2-12/UL2231-2 Norme de sécurité sur les systèmes de protection du personnel pour les circuits d'alimentation des véhicules électriques (VÉ) : exigences particulières visant les dispositifs de protection utilisés dans les systèmes de charge.
- CSA C22.2 No. 280-13/UL2594 (1ère édition) Norme visant le matériel d'alimentation électrique pour véhicules électriques (EVSE).
- CSA C22.2 No. 0.8-12 Fonctions de sécurité intégrant des technologie électronique.
- UL1998 Norme pour logiciel à l'intérieur de composants programmables.
- UL991 Norme pour les essais de contrôles liés à la sécurité utilisant des dispositifs à semi-conducteurs.
- NEC 2014 section 625.

Garantie FLO[®] Maison

Cette garantie limitée (la « Garantie ») est offerte par Services FLO Inc., située au 2800 Louis Lumière, suite 100, Québec (Québec) G1P 0A4 Canada (« FLO »).

1. Produits. Les produits couverts par la Garantie sont « FLO Maison Modèle G5TM » et « FLO Maison Modèle X5TM » (ci-après nommés les « Produits »).
2. Garantie limitée. Sujet aux exclusions de garantie décrites ci-dessous, FLO garantit que ses Produits : (i) sont exempts de de tout défaut de matériel et de fabrication; et (ii) fonctionnent selon les spécifications techniques de FLO, incluant les manuels d'utilisation, les spécifications techniques remises au moment de l'achat, et toute avis de service (les « Spécifications de Produit »). La Garantie s'applique uniquement à l'acheteur original nommé à la facture d'achat originale pour un Produit (l' « Acheteur »), ne peut être transférée et s'applique uniquement aux consommateurs canadiens.
3. Période de Garantie. Les termes et conditions de la Garantie sont valables pour une période de trois (3) ans (la "Période de garantie") à compter de la date de l'achat original du Produit par l'Acheteur. AUCUNE GARANTIE NE S'APPLIQUE APRÈS LA FIN DE LA PÉRIODE DE GARANTIE APPLICABLE.
4. Recours limités. Pour tout Produit qui ne fonctionne pas selon les Spécifications de Produit ou jugé défectueux par FLO suite à son inspection durant la Période de garantie, l'unique obligation de FLO sous cette Garantie est d'effectuer l'une des activités suivantes, à la seule discrétion de FLO : (1) la réparation; (2) le remplacement; ou (3) le remboursement à l'Acheteur du prix d'achat du Produit. Tout Produit ainsi remplacé ou réparé ne sera garanti que pour la période à échoir de la Période de garantie initiale, en ajoutant la durée pendant laquelle le produit était en remplacement ou en réparation. Vous reconnaissez que les pièces de remplacement ou les Produits puissent être réusinés ou reconditionnés et offriront des fonctionnalités similaires. De plus, toutes les pièces originales ou Produits ainsi remplacés deviendront la propriété exclusive de FLO. La Garantie couvre les pièces et la main d'oeuvre nécessaires à la réparation ou le remplacement de votre Produit éligible mais ne couvre pas : (a) toute dépense de main d'oeuvre relative au retrait et/ou la réinstallation du Produit réparé ou remplacé sur le site (devant être faite avec votre consentement au tarif de FLO généralement en vigueur à ce moment); ou (b) certains coûts de transport décrits ci-dessous.

5. Procédure de réclamation de la Garantie. Toute réclamation en application de la Garantie doit être soumise au service à la clientèle de FLO à service@flo.ca qui émettra un numéro d'autorisation de retour de marchandise (« ARM »). Dans le cadre de la procédure de retour de ARM, vous pourriez être appelé à fournir de l'information relative au Produit, telle que son état, modèle/numéro de série et votre preuve d'achat. FLO fournira une étiquette d'expédition qui couvrira les frais de transport du Produit au Canada seulement jusqu'à FLO pour fins d'évaluation. Si le Produit est éligible à la couverture offerte par la Garantie, FLO assumera également les coûts associés au transport pour le retour du Produit chez l'Acheteur, à l'adresse indiquée à l'ARM, si cette adresse est située au Canada. FLO n'assumera pas les coûts associés au transport du Produit en provenance d'un autre pays. Des frais additionnels s'appliqueront au retour d'un Produit à une adresse dans un autre pays. Les coordonnées du service à la clientèle est contenu à www.flo.ca. Tout Produit qui sera jugé inéligible au service offert par la Garantie sera retourné, réparé ou remplacé avec votre consentement au tarif de FLO généralement en vigueur à ce moment.

6. Exclusions de Garantie. La Garantie ne s'applique pas à tout Produit qui a été installé, retiré, manipulé, modifié, altéré, démonté ou réparé par une personne autre qu'un fournisseur de services agréé par FLO, ou si l'identifiant original du Produit (i.e. le numéro de série, les logos, notices de droit d'auteur ou marques de commerce) a été retiré, modifié ou dégradé. La Garantie ne s'applique pas aux dommages aux Produits causés par : (i) une mauvaise préparation du site ou l'entretien inadéquat du site, une mauvaise installation, la négligence (incluant le dommage causé par un véhicule), abus, vandalisme ou une mauvaise utilisation du Produit, incluant tout usage qui ne respecte pas les Spécifications de Produit; (ii) l'usage normale, les dommages cosmétiques ou superficiels, le passage du temps, les égratignures, taches, bosses ou la décoloration extérieure; (iii) un accident, un incendie ou tout autre risque de dommages (incluant des surtensions extrêmes, champs magnétiques extrêmes ou des cas de force majeure tels que tremblements de terre, tornades, inondations, infestations biologiques, neige, foudre, etc.); ou (iv) toute autre raison hors du contrôle de FLO. AUTREMENT QUE PRÉVU À LA GARANTIE, FLO SE DÉCHARGE, À LA LIMITE DE CE QUI EST PRÉVU À LA LOI, DE TOUTE REPRÉSENTATION ET GARANTIE, DE QUELQUE NATURE QUE CE SOIT, EXPRESSE OU IMPLICITE, INCLUANT, SANS EN LIMITER LA PORTÉE, LES REPRÉSENTATIONS ET GARANTIES IMPLICITES RELATIVES À LA QUALITÉ MARCHANDE OU L'ADAPTABILITÉ À DES FINS PARTICULIÈRES, À UN USAGE PARTICULIER OU À LA NON-VIOLATION DE DROITS PAR LES PRODUITS. EN AUCUN CAS, FLO NE POURRA ÊTRE TENUE RESPONSABLE DE DOMMAGES INDIRECTS, SPÉCIAUX, FORFUITS, EXAMPLAIRES, PUNITIFS OU CONSÉCUTIFS DE QUELQUE NATURE QUE CE SOIT (MÊME SI LA POSSIBILITÉ DE L'EXISTANCE DE CE DOMMAGE ÉTAIT CONNUE OU AURAIT DUE ÊTRE CONNUE DE FLO) OU TOUTE CAUSE D'ACTION RELATIVE À LA DÉFAILLANCE DU PRODUIT OU RELATIVE AU PRODUIT, SON ACHAT, SA MANUTENTION, SON INSTALLATION OU SON USAGE PAR L'ACHETEUR ET/OU TOUTE PERSONNE AUTORISÉE PAR L'ACHETEUR RÉSULTANT DE TOUT DÉFAUT AUX REPRÉSENTATIONS ET GARANTIES OU SOUS TOUTE AUTRE PRINCIPE JURIDIQUE, INCLUANT SANS EN LIMITER LA PORTÉE, PERTE D'USAGE; PERTE DE REVENU; PERTE DE PROFITS RÉELS OU ANTICIPÉS (INCLUANT PERTE DE PROFITS CONTRACTUELS), PERTE DE L'USAGE D'ARGENT; PERTE D'ÉCONOMIES ENVISAGÉES; PERTE D'AFFAIRES; PERTE D'OPPORTUNITÉS; PERTE DE GOODWILL; PERTE DE RÉPUTATION; PERTE OU DOMMAGE À UN AUTRE BIEN TEL QU'UNE AUTOMOBILE; OU TOUTE PERTE OU TOUT DOMMAGE INDIRECTS OU CONSÉCUTIFS INDÉPENDAMMENT DE COMMENT ILS ONT ÉTÉ CAUSÉS, INCLUANT LE REMPLACEMENT DE BIENS MEUBLES ET IMMEUBLES. FLO NE GARANTIT PAS QUE LES PRODUITS ET LES SERVICES RELIÉS SERONT LIBRES D'ERREUR OU OPÉRERONT SANS INTERRUPTION. EN AUCUN CAS, LA RESPONSABILITÉ TOTALE DE FLO POUR TOUTES LES RÉCLAMATIONS RELATIVES AUX PRODUITS ET SERVICES Y RELIÉS VOUS AYANT ÉTÉ RENDUS, NE POURRA EXCÉDER LE PRIX D'ACHAT QUE VOUS AVEZ PAYÉ POUR LES PRODUITS. LES RECOURS PRÉVUS À CETTE GARANTIE SONT VOS SEULS ET UNIQUES RECOURS. CERTAINES JURIDICTIONS NE PERMETTENT PAS L'EXCLUSION OU LA LIMITATION DE CERTAINES RESPONSABILITÉS, ET LES LIMITES DÉCRITES CI-DESSUS POURRAIENT NE PAS S'APPLIQUER À VOUS. Aucun revendeur, agent ou employé n'est autorisé à faire de modification, d'extension ou d'ajout à cette Garantie. Si une disposition est déclarée illégale ou inapplicable, les autres dispositions ne seront pas affectées ou invalidées. La Garantie est soumise et interprétée en vertu des lois de la province dans laquelle l'achat de Produit a été effectué.

© 2019. Services FLO Inc. Tous droits réservés.



For More Information

✉ info@flo.com

☎ 1-855-543-8356

flo.com